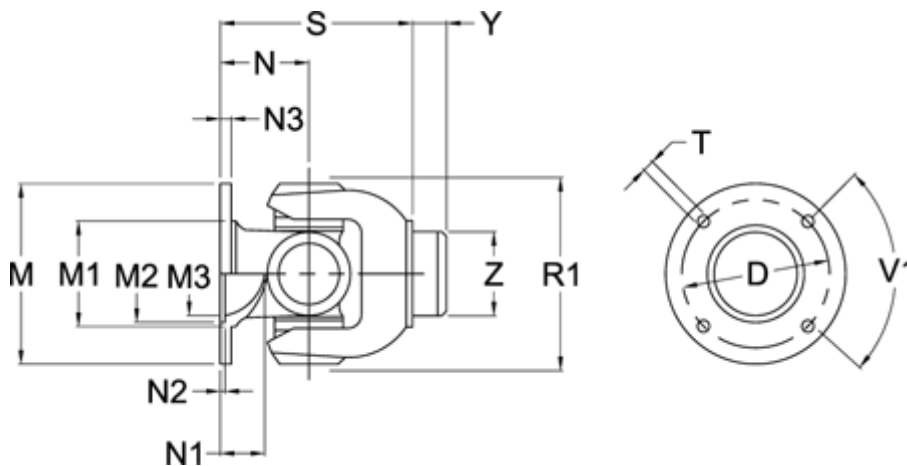


Article number: 07122051001

Description: Universal joint single 0.122.051.001
S=225 X= Bore with keyway

Measures



D	= 196 +0,1	N2	= 5 +0,5	Z = 108.25
Flange diameter M	= 225	N3	= 15	
M1	= 160	Number og Flangeholes	= 8	
M2	= 140	R1	= 204	
M3	= 128	S min	= 225	
Max. Bending Angle degrees	= 30	T	= 16 B12	
N	= 110	V1 degrees	= 45	
N1	= 36	Y	= 30	